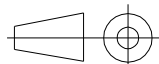
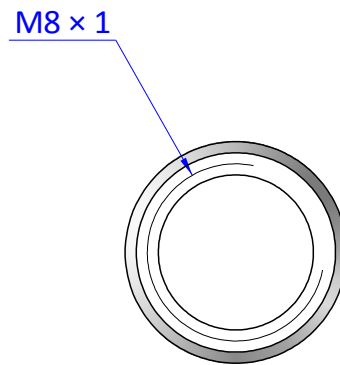
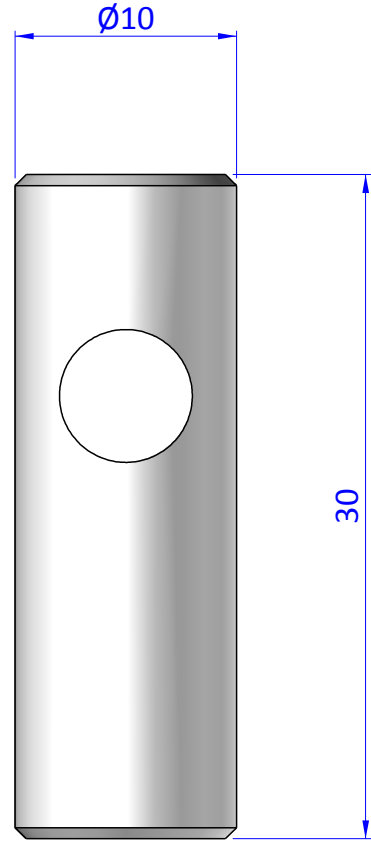
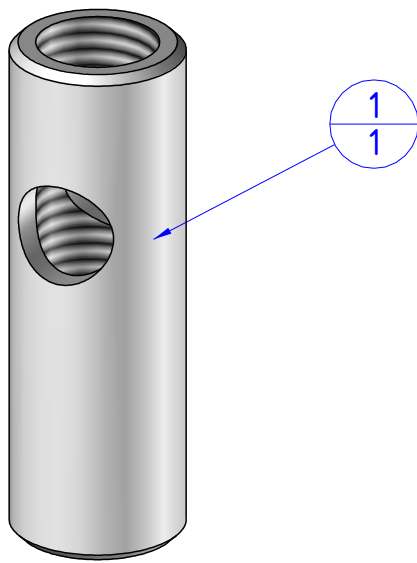


THE PROPERTY OF THE DRAWING IS ESTABLISHED BY LAW. IT IS FORBIDDEN TO PRODUCE OR SHOW IT TO THIRD PART. WITHOUT A WRITTEN AGREEMENT.

Item	Name	Q.ty
1	VLR.10.30	1



Format A4 UNI 936-76	GENERAL TOLERANCE		DESCRIPTION		DESIGNED FROM	REVIEW
	UNI - ISO 2768		CA.VLR.10.30		FP SERVICES	A
	CLASSE f				DATE	WEIGHT
				30/01/2019	0,003kg	
				CODE	CA.VLR.10.30	